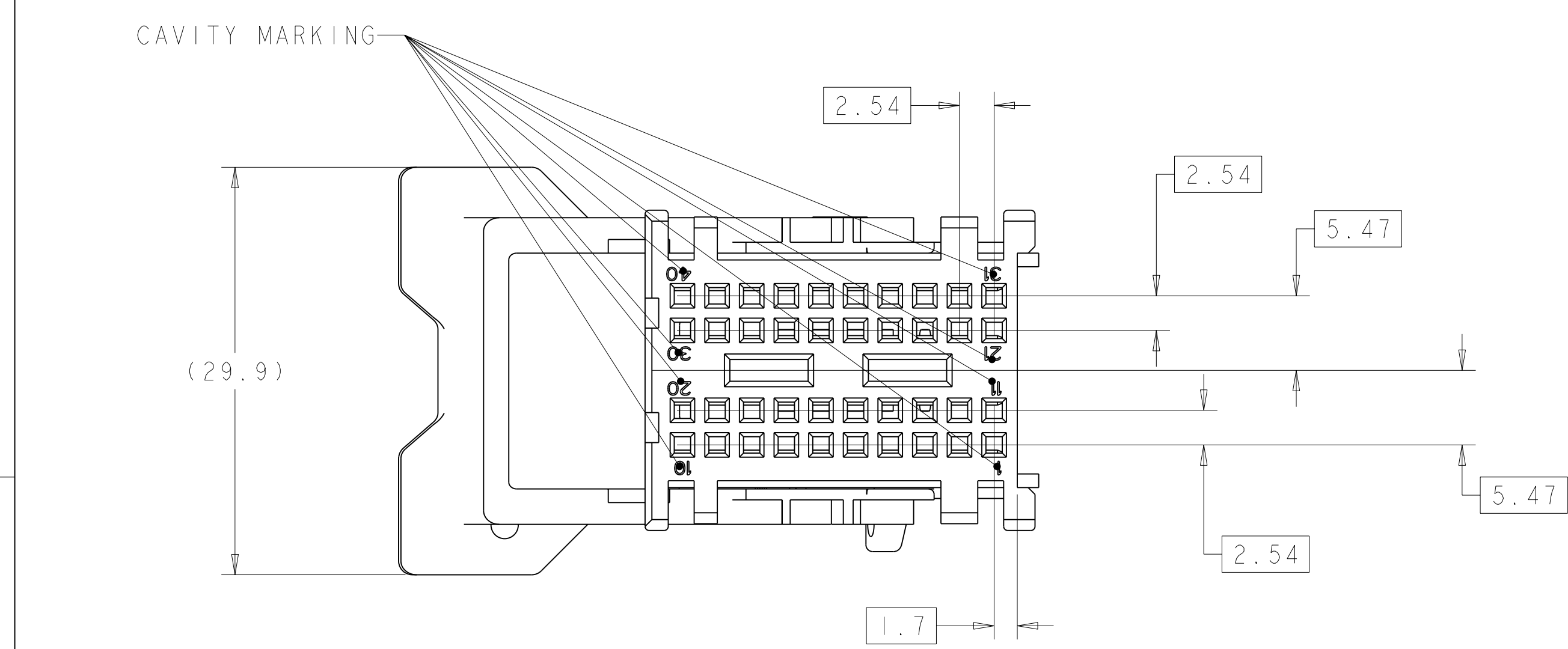
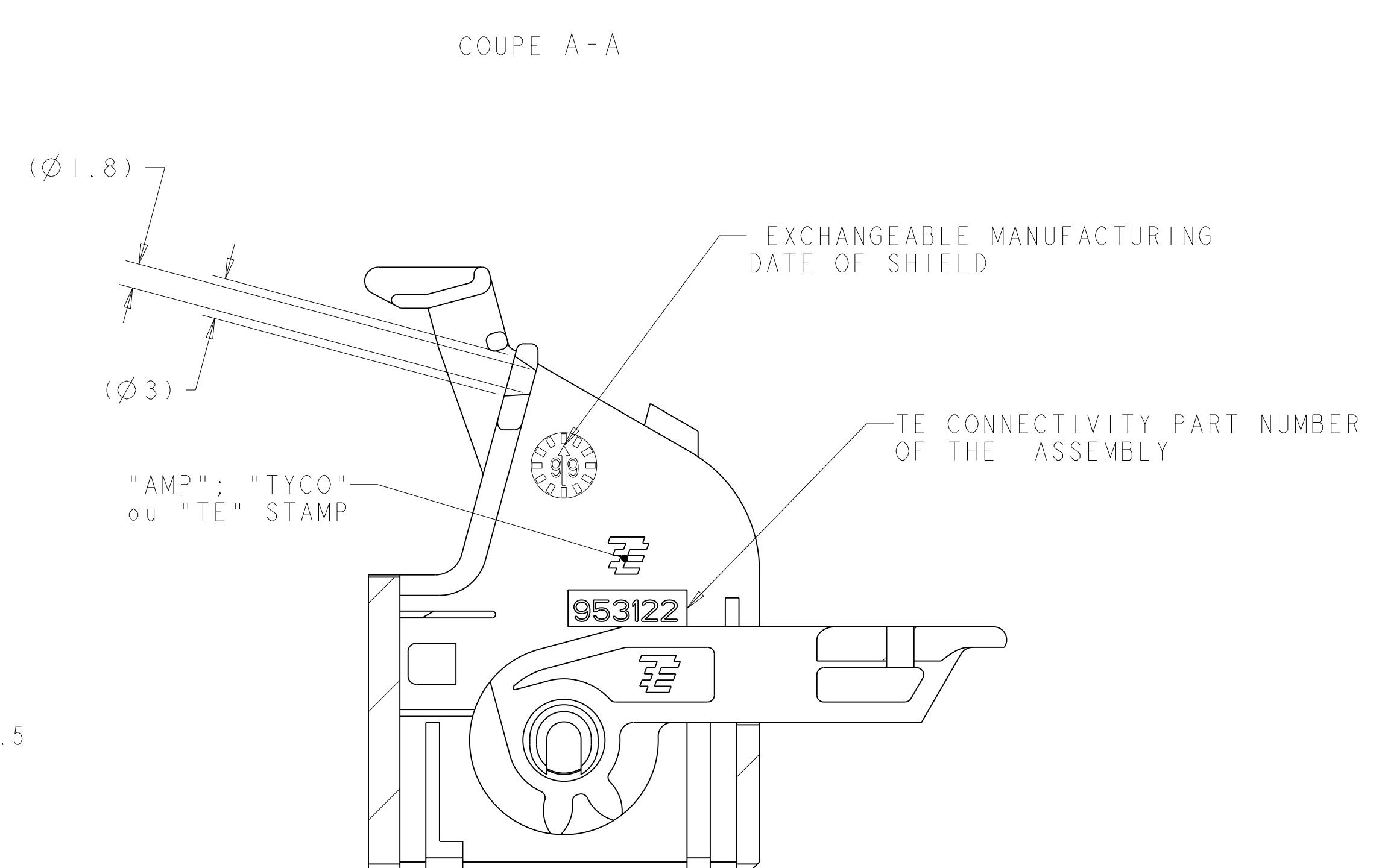
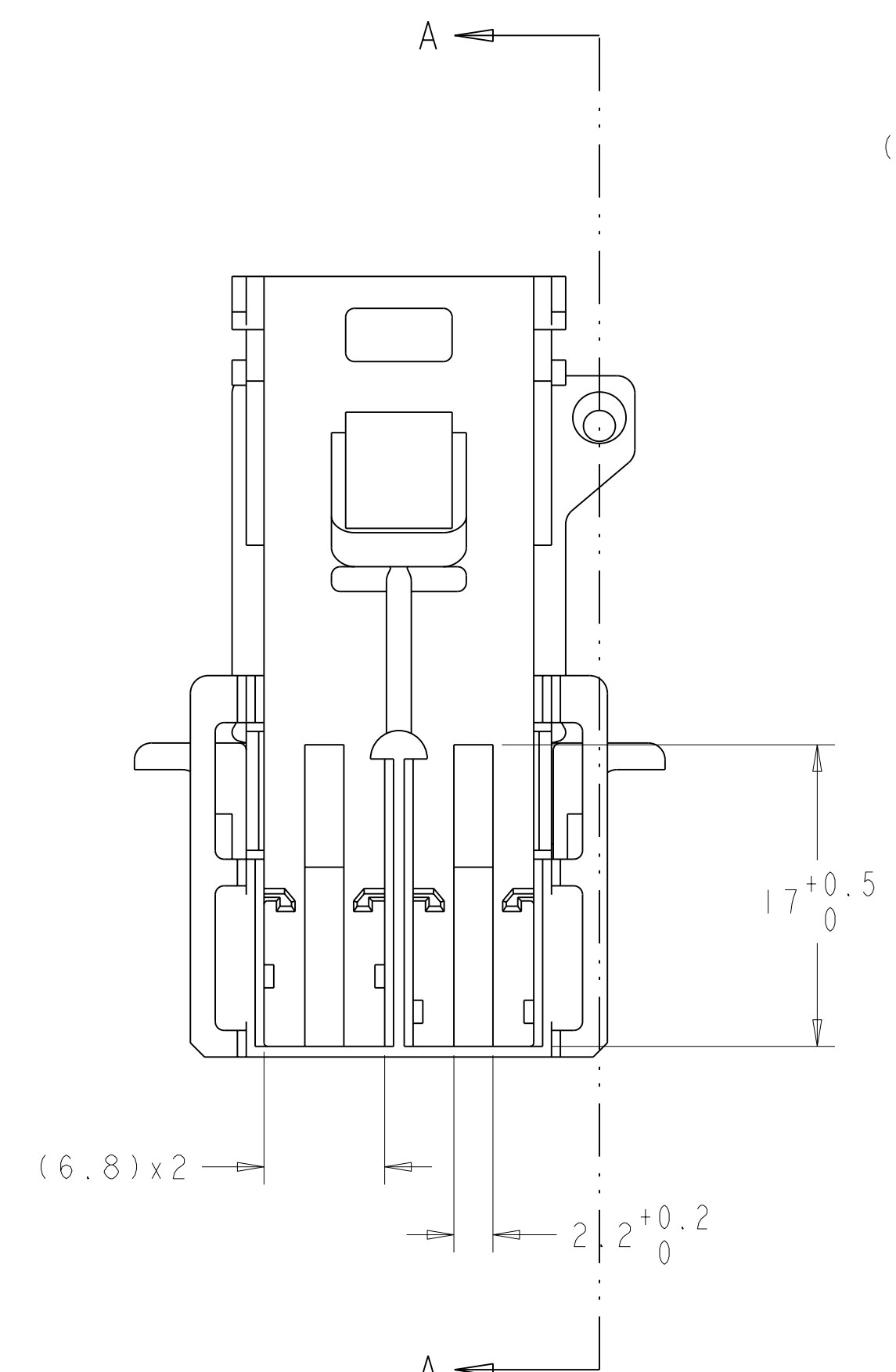
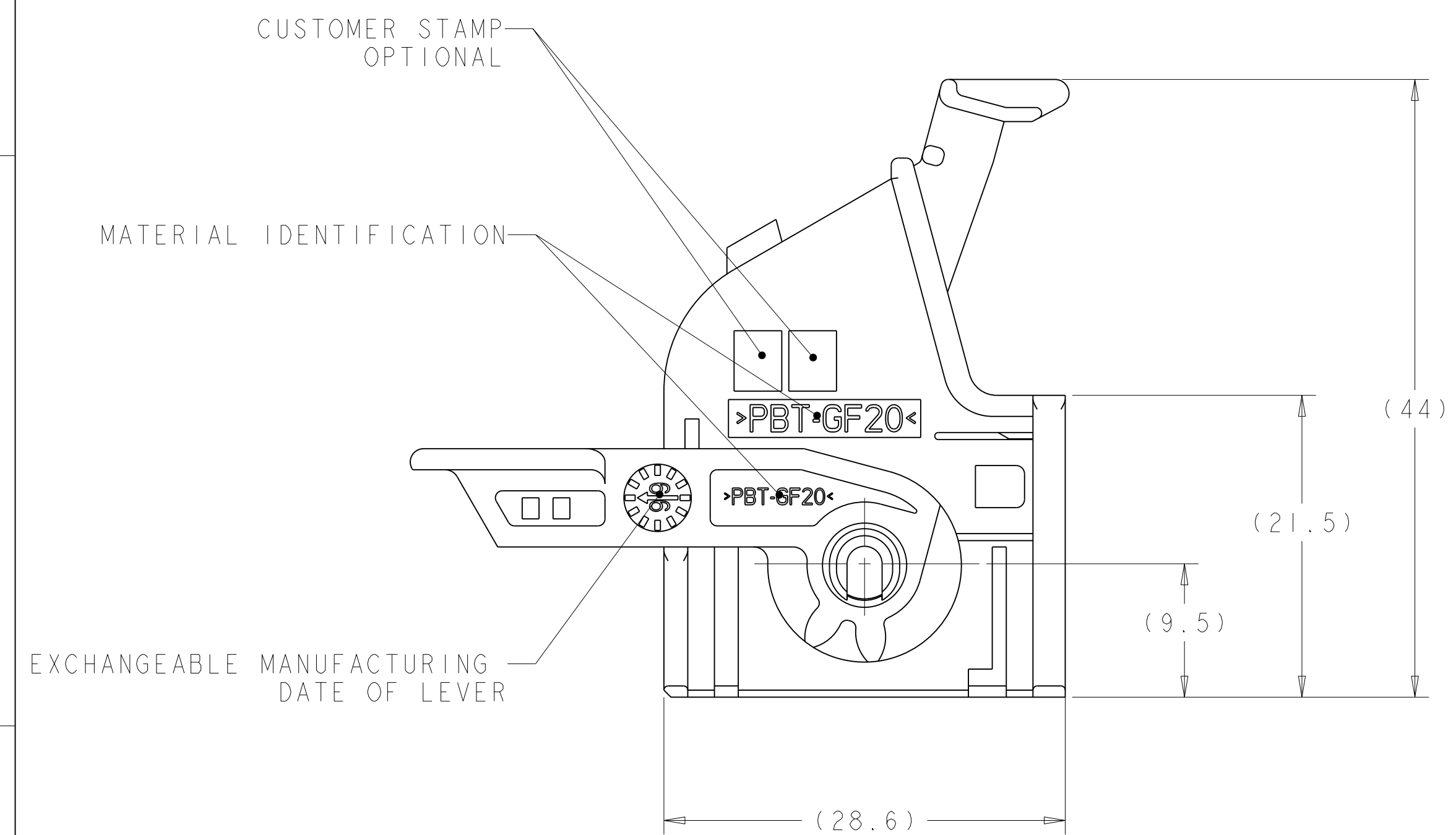
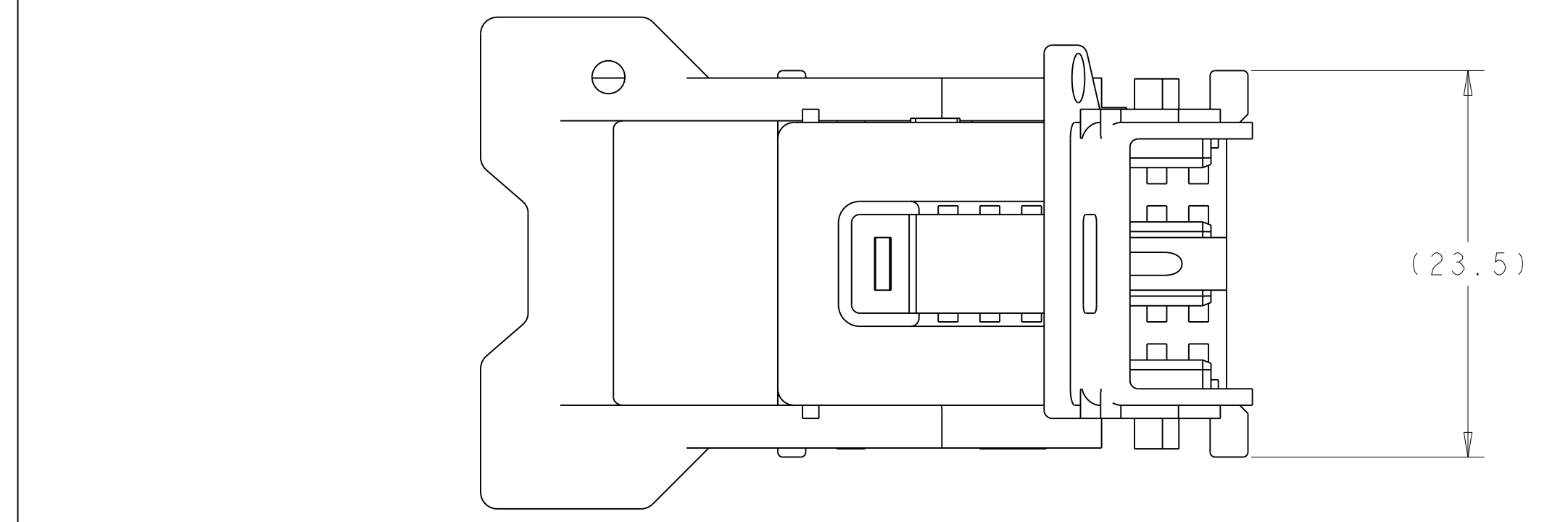


LOC		DIST		REVISIONS			
F	00	P	LTR	DESCRIPTION	DATE	DWN	APVD
		REV		MODIFICATIONS		DESS	APP
		A1		REVISED PER ECO-11-005150	28MAR2011	RK	HMR



Nota:
 PARKAGING FOLLOWING SPEC TE CONNECTIVITY: 107-18078 and 107-15368
 PART TO USE WITH:
 SOCKET HOUSING 20 WAYS BROWN REF 953119-3
 SOCKET HOUSING 20 WAYS GREEN REF 953119-1
 CONTACT MQS REF /144969-X; 1379418-X; 1379419-X
 NUMBER MAXI OF WIRE PERMITTED:
 40 WIRES SECTION 0.75mm² (Ø maxi insult 1.9mm)
 RECOMMANDATION SPEC: 411-15597

THIS DRAWING IS A CONTROLLED DOCUMENT. CE PLAN EST UN DOCUMENT CONTROLÉ PAR AMP INCORPORATÉ IL EST INTERDIT DE LE REPRODUIRE, COMMUNIQUER OU SERVIR TECHNIQUE D'IMP DE FRANCE POUR OBTENIR LA SEULEMENT REVISION		DWN/DESSINE 08FEB2005 M. POLLEONTE		NAME	
DIMENSIONS: mm		TOLERANCES, UNLESS OTHERWISE SPECIFIED: TOLEANCES, NON SPECIFIEES: DECIMALES: ±0.2		APVD/APPROUVE 09FEB2005 J. DABIEZ	
MATERIAL MATIERE PBT GF 20		FINISH FINITION -		WEIGHT MASSE APPROX 8.9gr	
CUSTOMER DRAWING		/PLAN CLIENT		UNIQUEMENT SCALE 2:1 POUR REFERENCE ECHELLE 2:1	
SIZE FORMAT A1		CAGE CODE 100779		DRAWING NO No PLAN C-953122	
RESTRICTED TO RESERVE A		SHEET FEUILLE 1		OF DE 2	
REV A1					

LOC	DIST	REVISIONS						
F	00	P	LTR	REV	DESCRIPTION MODIFICATIONS	DATE	DWN	APVD
		-	-	-	SEE SHEET 1	-	-	-

953122-1	SHIELD	2	1	BLACK	PBT GF 20		953122-5	SHIELD	2	1	BLACK	PBT GF 20	
	LEVER	1	1	BLACK	PBT GF 20			LEVER	1	1	BLACK	PBT GF 20	
953122-2	SHIELD	2	1	GREY	PBT GF 20		953122-6	SHIELD	2	1	GREY	PBT GF 20	
	LEVER	1	1	BLACK	PBT GF 20			LEVER	1	1	BLACK	PBT GF 20	
953122-3	SHIELD	2	1	WITHE	PBT GF 20		953122-7	SHIELD	2	1	WITHE	PBT GF 20	
	LEVER	1	1	BLACK	PBT GF 20			LEVER	1	1	BLACK	PBT GF 20	
953122-4	SHIELD	2	1	BLUE	PBT GF 20		953122-8	SHIELD	2	1	BLUE	PBT GF 20	
	LEVER	1	1	BLACK	PBT GF 20			LEVER	1	1	BLACK	PBT GF 20	
TE CONNECTIVITY PART NUMBER	COMPONENT	Rep	Q.	COLOR	MATERIAL	CODING	TE CONNECTIVITY PART NUMBER	COMPONENT	Rep	Q.	COLOR	MATERIAL	CODING

THIS DRAWING IS A CONTROLLED DOCUMENT. CE PLAN EST UN DOCUMENT CONTROLÉ PAR APP INCORPORATED. IL EST INSÉPARABLE DE CE PLAN. CONSTATÉ LE SERVICE TECHNIQUE S'IL Y A CHANGEMENT POUR OBTENIR LA DERNIÈRE RÉVISION.		DWN/BESSINE 08FEB2005 M. POLIFONTE CHK/VERVILLE 09FEB2005 X. ROUILLARD		TE Connectivity	
DIMENSIONS: mm		TOLERANCES, UNLESS OTHERWISE SPECIFIED: mm: ±0.2 mm: ±0.1 mm: ±0.05 mm: ±0.025 mm: ±0.015 mm: ±0.01		APVD APPROUVE J. DAHER 09FEB2005 NAME: X. ROUILLARD	
MATERIAL MATIERE: PBT GF 20		FINISH FINITION: -		PRODUCT SPEC: - SPEC. PRODUCT: 108-15178 APPLICATION SPEC: - SPEC. APPLICATION: - WEIGHT MASSE APPROX: 8.9gr CUSTOMER DRAWING /PLAN CLIENT	
FORMA: A1		CAGE CODE: 100779		DRAWING NO: 953122	
UNIQUEMENT POUR REFERENCE		SCALE: ECHELLE 2:1		SHEET OF: FEUILLE 2 DE 2	